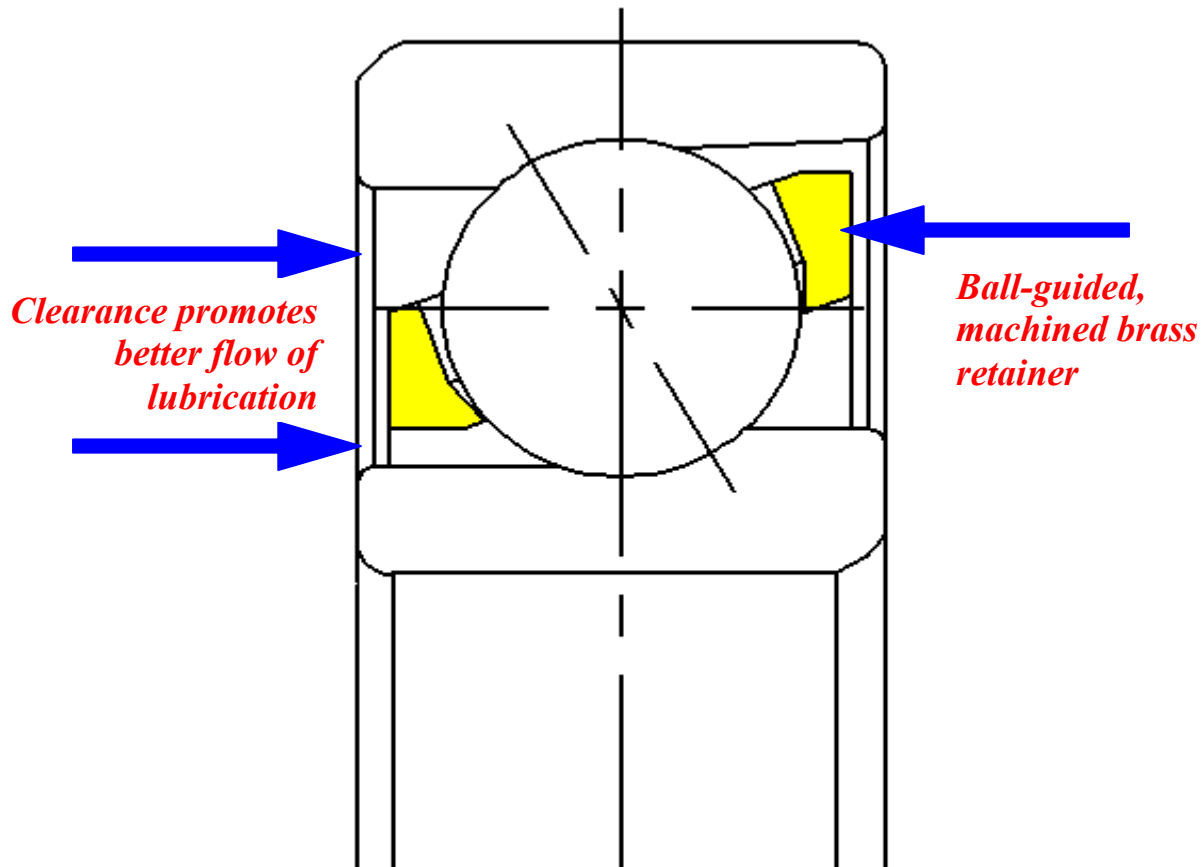




Angular Contact Ball Bearing with Ball-Guided Retainer



- *High-strength machined brass retainer, ball guided*
- *Clearance between retainer and inner & outer ring lands allows better lubricant flow*
- *Ideal for vertical applications with stacked bearings*
- *Denoted by NTN suffix “L1B”*

800 . 227 . 2136



PART NUMBER	STATUS
7220	COMING SOON
7222	AVAILABLE FROM STOCK
7226	AVAILABLE FROM STOCK
7309	AVAILABLE FROM STOCK
7310	COMING SOON
7320	AVAILABLE FROM STOCK
7322	AVAILABLE FROM STOCK

800.227.2136

