



Prevent premature main shaft bearing failure with SKF Industrial Seals

Why risk unplanned downtime and high crane costs with a sub-par seal? Trust your uptime and your bottom line to the robust reliability of SKF Industrial Seals.

As a leading bearing and seals manufacturer, SKF has a unique perspective on the interplay of the elements in rotating equipment. Thanks to our advanced sealing technologies, designs and development processes, our seals outperform the competition on the test bench and in the application.

Wind turbines operating in harsh and remote environments require adequate sealing for each bearing to work optimally. SKF Industrial Seals are designed to provide maximum protection against contaminants while containing the lubricant.

The seals work with both grease and oil lubricants and can operate in a wide temperature range.



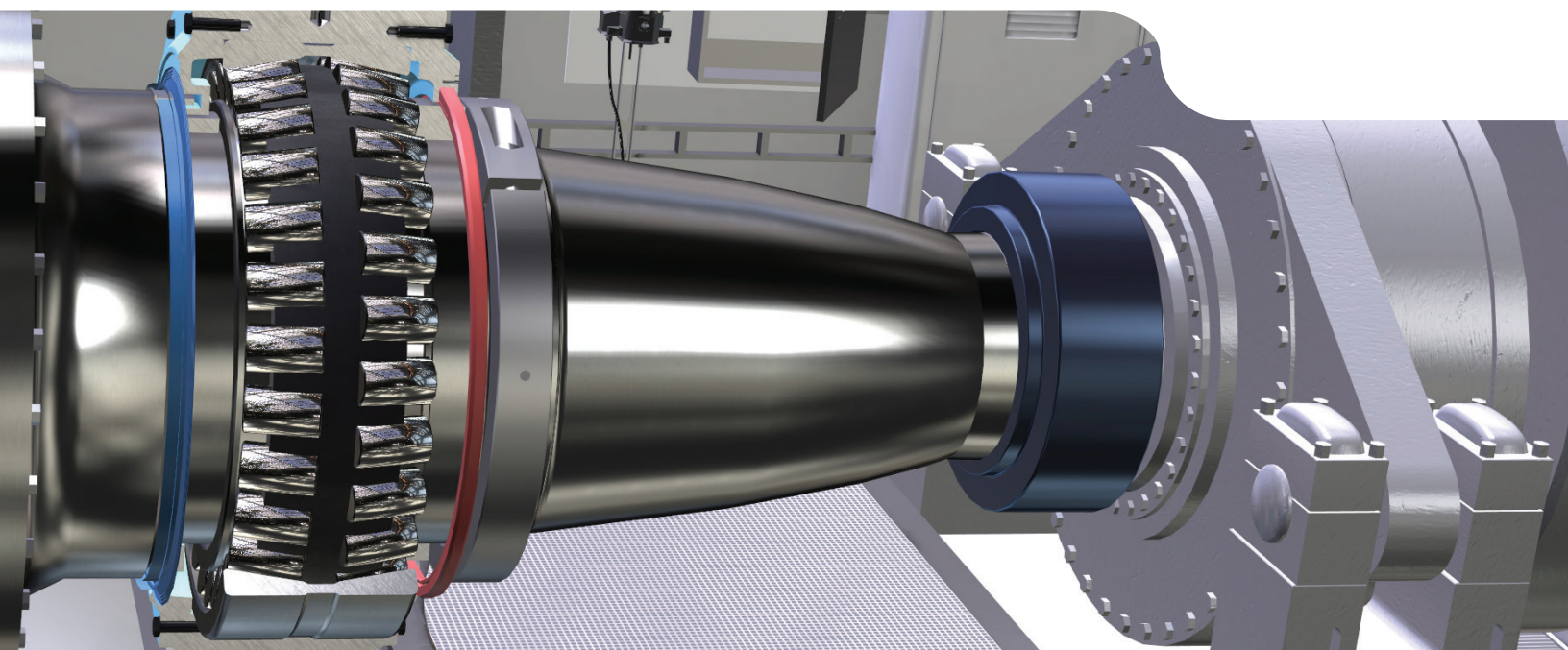
Seal related failures

- 36% Poor lubrication
- 14% Contamination



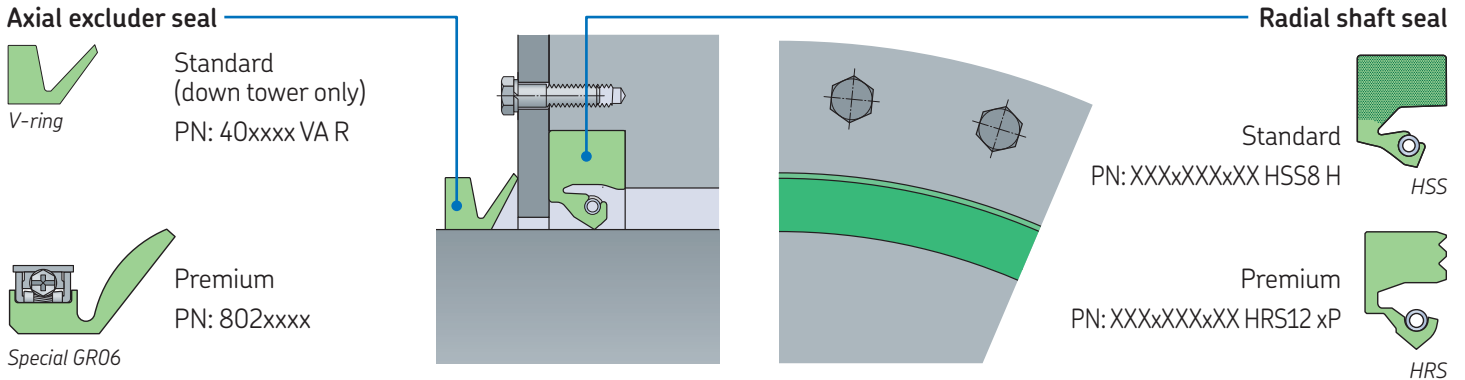
Easy scheduled installation maintenance can save:

- Lost production
- Additional wages
- Cost on installation tools



Increase uptime reliability and shorten workshop repairs with customized sealing solutions.

SKF offers a completely customizable solution for the main shaft bearing to keep lubricants in place and exclude harsh environmental contaminants.



Turbine	Bearing	Standard Seal	Premium Seal
GE 1.5sl	240/600 BC/L5DAC2H	407250	8028780
SWT-2.3/101-120	230/800 ECA/L5DAW33VS035	850x890x20 HSS8 H	850x890x20 HRS12 GP
	230/800 ECA/L5DAW33VS035	850x910x30 HRS12 GP	850x910x30 HRS12 GP
GE 1.6-1.8/103	240/710 BC/L5DACNL	407500 + 408000	802846 + 8029632
GE 1.6xle	240/600 BC/L5DAC2H	407250	8028780 (only SKF housings)
V82 1.65MW	240/630 BC/L5DACNL	407000	8029809
	240/630 BC/L5DACNL	710x760x20 HSS8 H	710x760x20 HRS12 GP
V47	24156 CC/W33 + 23060 CC/W33	320x360x18 HSS6 H + 320x360x22 HSS6 H	320x360x18+22 HRS12 HP
Suzlon S88-2.1MW	240/710 BC/L5DAC2H [UW + DW]	407500 + 408500	8027625
V80 1.8 MW/2 MW G8X, G90	24188 ECA/W33RE10 [UW/R5]	500x540x20 HSS8 H	500x540x20 HRS12 HP
	230/630 CA/L5DAW33 [DW/GS]	660x700x20 HSS8 H	660x700x20 HRS12 GP

Seals listed other than v-rings are split. Solid seals are available upon request. Split seals are able to be used up tower or down tower. Delivered in a week plus transport time if there is urgent demand (fee incurred). Based off of large install base in US. Custom options available upon request.

SKF Industrial Seals made of polyurethane
(H-ECOPUR or G-ECOPUR series):

- Wear resistance
- Increased stiffness
- Ozone and UV radiation
- Hydrolysis resistance

The HRS high performance profile

The grooves help to improve static sealing performance

The smooth outer diameter facilitates service and handling operations for easy installation and dismantling

A flexible sealing lip helps to cope with large misalignments

Stainless steel spring

The lip design avoids contact with the seal carrier and can minimize the risk of installation failures

Link to our installation videos

SKF installation instructions of HRS and HSS seals for wind turbines

Installation of HRS split seals from SKF

